



360a-WR Wrap System

For the cost conscious, low volume or entry level partners the CTM 360a WR wrap labeling system provides the ideal way for high quality round product labeling.



Setting Global Standards
One Customer at a Time

www.ctmlabelingsystems.com



360a-WR Wrap System

Features:

For the cost conscious, low volume or entry level partners the CTM 360a WR wrap labeling system provides the ideal way for high quality round product labeling. It uses CTM's advanced 360a merge applicator with remote HMI operator touch screen color display. The 360a is available in the 5" wide and 7-1/2" wide versions accommodating nearly all applications. For multiple labels the 360a has 48 label format storage for operator selection- no need to re-calibrate the same labels.

Compact and complete the unit measures a 4' x 4' square footprint with the 6" wide x 4 ft. long conveyor, wrap belt assembly and ball bushing traverse for the labeler. Independent speed adjustments allow set ups for various product and label sizes and cycle rates. The 360a WR system is provided only as a "build and ship" system for economy.

Options:

Low Label, End of Web, Light Stack- all are Plug and Play for the 360a

Electrical / Pneumatic:

108-132 Volts AC, 50/60 Hertz, Single Phase, 7 Amps.

Environmental:

Operating: 41° F to 104° F (5° C to 40° C)

Storage: -4° F to 105° F (-20° C to 40° C)

Optional Features:

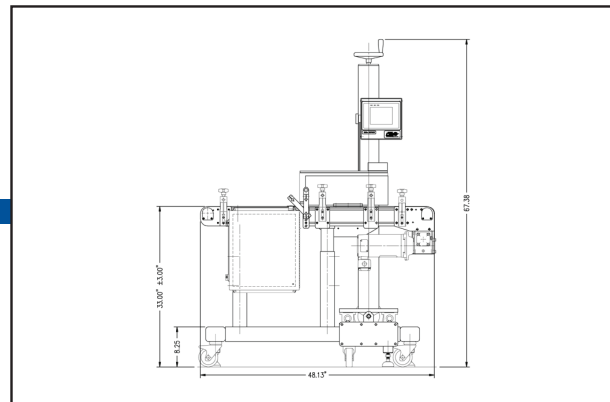
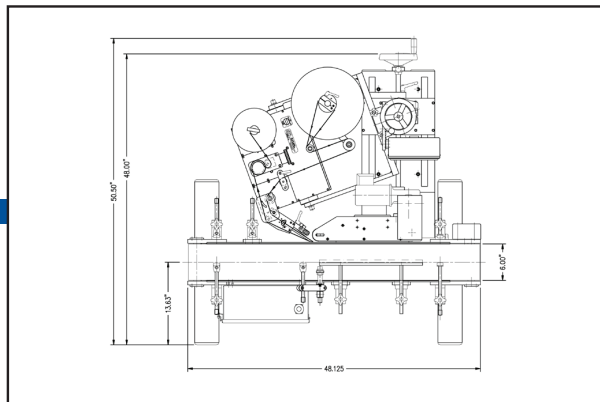
Low label, Low Ribbon, End of Web, End of Ribbon

Stack light (silent or audible)

Consult CTM Labeling Systems for other options

Weight:

Approx. 700 lbs.



Distributed By:



1318 Quaker Circle
P.O. Box 589
Salem, Ohio 44460
(330) 332-1800

www.ctmlabelingsystems.com



360a-WR Wrap System/1016



www.SixB.com • 12200 Forestgate Dr. • Dallas, TX 75243 • (800) 284-0121 • Marketing@SixB.com • Page 2 of 2